

# MTD-4024 Series

24" Multi-Touch 16:9 Full HD Projected Capacitive Industrial Display, IP65 Waterproof



- 24" LCD Display supports up to 16 : 9 Full HD 1920 x 1080 resolution
- Projected Capacitive 10-point Multi-Touch Screen
- 7H Hardness Anti-Scratch Surface
- Touchscreen works with gloves
- High quality LCD Panel with high reliable LED Backlight
- Supports VGA, DVI-D and HDMI Interface
- Landscape Mode and Portrait Mode supported
- Mounting : VESA Mount, Panel Mount
- IP65 Front Panel Protection



Smart Manufacturing



Gaming



Intelligent Surveillance



Infotainment System



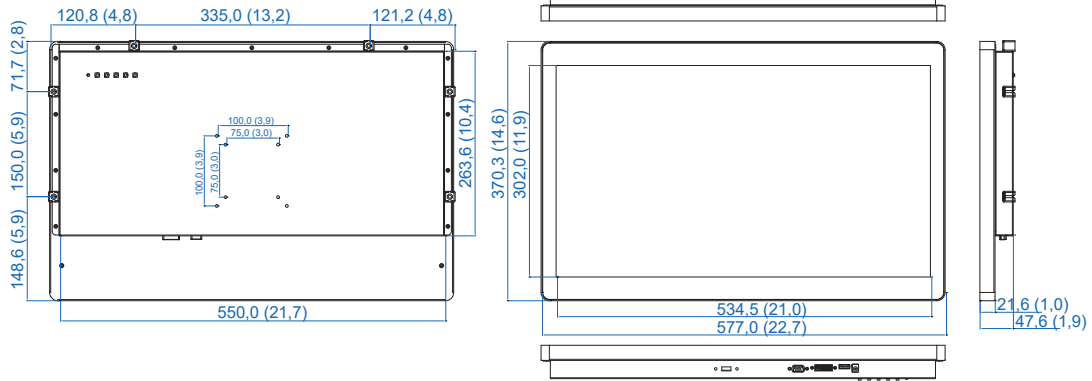
Medical



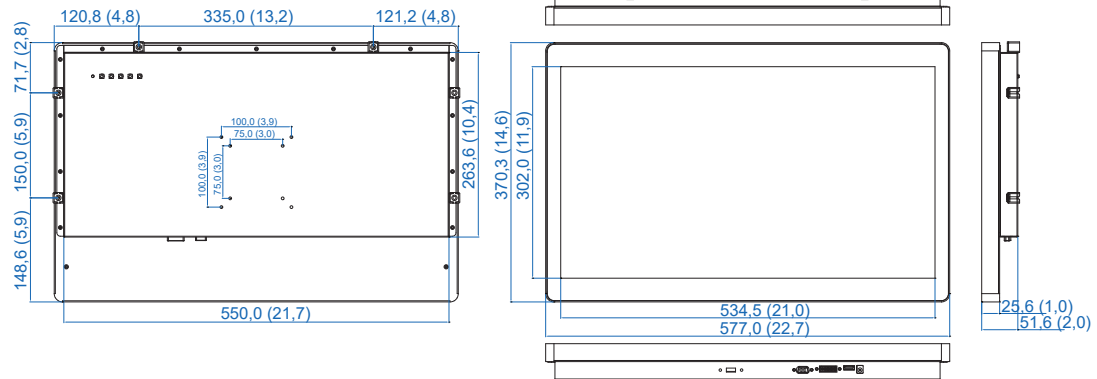
# Dimensions & Drawing

Unit: mm (inch)

## MTD-4024C



## MTD-4024E



# Specifications

### Panel

Panel Type	TFT LCD
Active Area	24" (16 : 9)
Max. Resolution	1920 x 1080 (Full HD)
Display Color	16.7M
Brightness (cd/m2)	• MTD-4024E : 300 • MTD-4024C : 250
Contrast Ratio	• MTD-4024E : 3000 : 1 • MTD-4024C : 1000 : 1
Viewing Angle (H/V)	• MTD-4024E : 178°/178° • MTD-4024C : 170°/160°
Backlight	LED Backlight
Backlight Life (hrs)	• MTD-4024E : 50,000hrs • MTD-4024C : 30,000hrs

### Touch Screen

Touch Screen Type	10-point Projected Capacitive
Transparency	≥ 85%
Surface Hardness	7H Surface Hardness
Control Interface	USB Interface

### System

Power Input	DC-in 12V
Power Interface	DC Jack
Power Adapter	AC to DC 60W Power Adaptor
Video Interface	• 1 VGA : D-Sub, Analog • 1 DVI-D : Digital • 1 HDMI
OSD Control	5 OSD Keypad for Function Management
OSD Language	Multi Language

### Mechanical

Dimensions (W x L x H)	• MTD-4024E : 576.5mm x 369.7mm x 51.6mm (22.7" x 14.6" x 2.0") • MTD-4024C : 576.5mm x 369.7mm x 45.1mm (22.7" x 14.6" x 1.78")
Gross Weight	• MTD-4024E : 9.0 kg (19.84 lb) • MTD-4024C : 8.6 kg (18.96 lb)
Front Panel Protection	IP65 Compliant
Mounting	• VESA Mount (75 x 75mm, 100 x 100mm) • Panel Mount

### Environment

Operating Temp.	0°C to 50°C (32°F to 122°F)
Storage Temp.	-20°C to 60°C (-4°F to 140°F)
Humidity	5% to 90% Humidity, non-condensing
Shock	• IEC 60068-2-27 • 20G, Half-sine, 11ms
Vibration	• IEC 60068-2-64 • Non-operation : 10Hz to 200Hz, 1.5Grms, X, Y, Z, 30 mins each Axis
EMC	CE, FCC

### Accessory List

VGA Cable	x 1
USB-A Cable (M)	x 1

# Order Information

MTD-4024C	• 24" Multi-Touch 16:9 Full HD Projected Capacitive Display, IP65 Front Panel
MTD-4024E	• 24" Multi-Touch 16:9 Full HD Projected Capacitive Display with Industrial Grade LCD, IP65 Front Panel
PWA-60W	• 60W, 12V 100V AC to 240V AC Power Adaptor for DC Jack
Panel-Mount	• Panel Mount Kit
VESA Stand	• VESA Table Stand
CAB_DVI	• DVI Cable (M)
CAB_HDMI	• HDMI Cable